

LD170

High Power LED Wall Light



Data sheet - Page 1



Design: Maurice Brill Lighting Design
 Project: 20 Fenchurch Street, Sky Garden
 Product: Custom LD170

The LD170 recessed wall light has been designed to create glare-free, broad and even illumination to steps and pathways. This is a very tough, high quality fitting, suitable for a wide range of applications.

Key Features

- LED and lens assembly recessed within a black anodised body for reduced glare
- Integral glare baffle which minimises the light above the horizontal
- Single optic produces a very consistent beam with no multiple shadows
- Angled kick glass focuses light down to where it is needed
- No visible fixings. Fixing is by O-rings and a first fix sleeve which is bonded into the mounting surface
- O-rings allow alignment with lit surface
- IP67 for exterior and interior projects
- Range of bezel finish options
- Available with Switch, 0-10V, DMX, Dali or Mains dimmable drivers



Specification

Applications



LED type	1 x Cree MKR 4 die LED			
Colour temperature	2700K / 3000K / 4000K		5000K	
Current	350mA	500mA	350mA	500mA
LED power (Max)	5W (4.4W)*	7W (6.3W)*	5W (4.4W)*	7W (6.4W)*
CRI	85	85	80	80
Forward voltage (V) ₁₀₀	14V	14V	14V	14V
Delivered lumens (L ₁₀₀)	161	198	173	212
LED lifetime (to 70% lumen maintenance)	50,000hrs at a max ambient temperature of 35°C (if higher ambient then run at 350mA up to 45°C)			
Glass	6mm thick borosilicate			
Materials	Black anodised aluminium body, Machine finish 316 stainless steel bezel (other options available) Sleeve - Black Acetal			
Wiring	Comes pre-wired with 2 core 100mm lead. Can be specified with up to 10m at extra cost.			
IP rating	IP67			

*indicates the nominal power for the LED run at that particular current and LED includes losses associated with using an 85% efficient driver

LD170

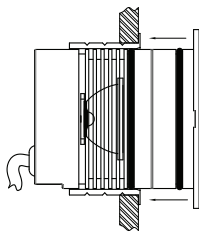
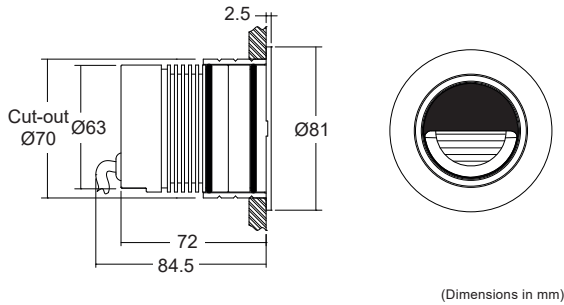
High Power LED Wall Light



Data sheet - Page 2

Fixing and Dimensions

The fitting is supplied as standard with a fixing sleeve; this is bonded into the mounting surface first. It is secured into the sleeve by 2 O-rings on the body. When pushed into the sleeve it creates a watertight seal.



Product: LD170 / LW30

Order Codes and Options

Product code	LED colour	Finish
LD170 - 350 - 500		

Example: LD170-500 / LW30 / Brushed stainless steel

Product codes with output options

5W 350mA	LD170-350
7W 500mA	LD170-500

LED colour options

LED colour options	Suffix
Extra Warm White (2700K)	/LW27
Warm white (3000K)	/LW30
White (4000K) - on request	/LW40
Cool White (5000K)	/LW50

Finish options

Stainless steel 316
 Paint finish white / black / RAL
 Polished and passivated stainless steel (for marine environments)
 Flamed solid bronze (antique finish)

Fixing

Comes as standard with /484S first fix sleeve

Use with 350mA and 500mA constant current LED drivers

For our complete range of LED drivers please download the data sheet from the downloads section at www.lightgraphix.co.uk